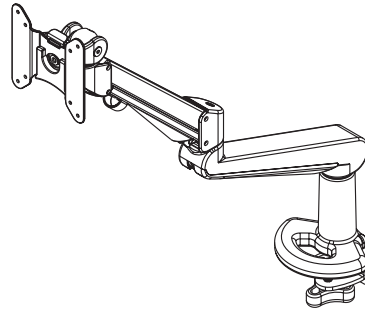


# User Manual

Before assembly please spend some time reading this and follow the procedures step by step. Some panels are viewed differently from the detail drawing below. This is for extra clarity. Do not discard any of the packaging until you have checked all the parts and tools. If you are missing any of the parts, please contact your supplier .



## Parts and Tools Check List

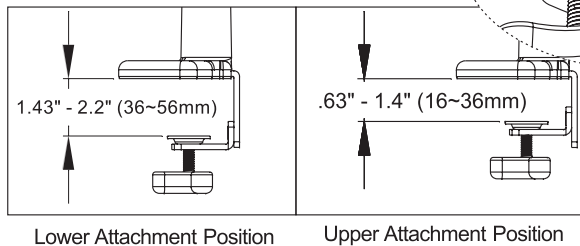
 X1	 X1	 X1
	 X1	 X4
	 X1	 X1
	 X1	 X1
	 X1	 X1
	 X2	 X1

## Assembly Guide

### Step 1

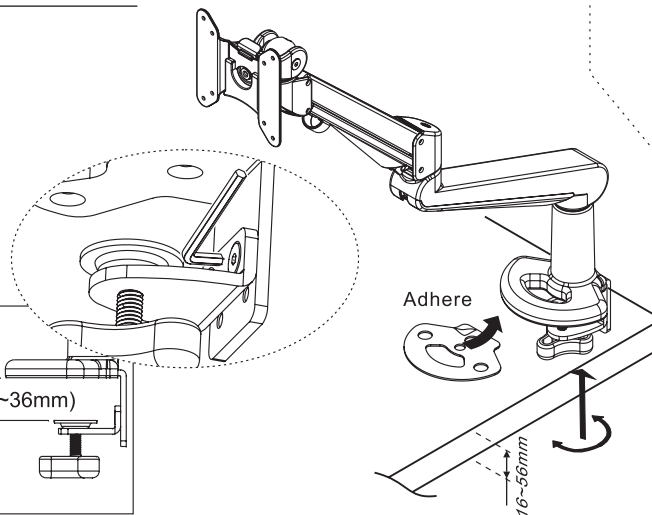
#### "Clamp" Assembly

Adhere the pad to the base of the clamp. Fits desk thicknesses from 0.63" - 2.2" (16mm~56mm), then clamp the arm to the desk.



Lower Attachment Position

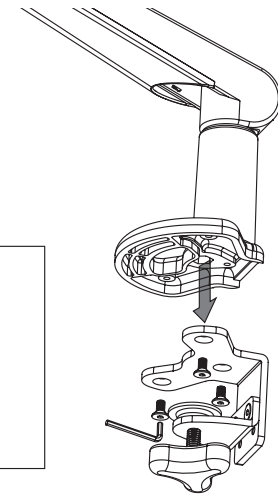
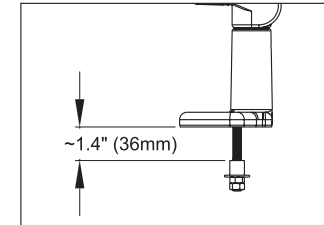
Upper Attachment Position



### "Grommet" assembly step(1-1)

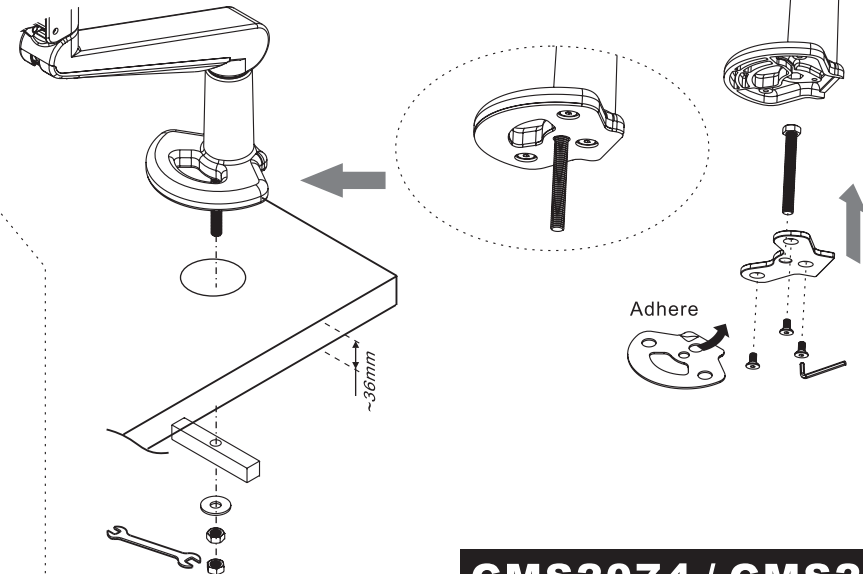
Use 4mm allen key to loosen the 3 screws, then detach clamp mount from the arm.

Note: Do not lose the screws as they will be used to attach the grommet mount.



### "Grommet" assembly step(1-2)

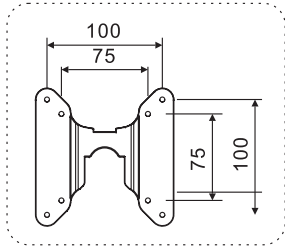
Place the small metal grommet mount plate on the bottom of the arm, then adhere the pad to protect the surface of the desk. Attach the arm to the desk by positioning over the grommet hole. The bolt should be visible under the desk. Secure the arm using the remaining parts as shown below. Grommet hole diameter should be between .78" - 2".



**CMS2074 / CMS2077**

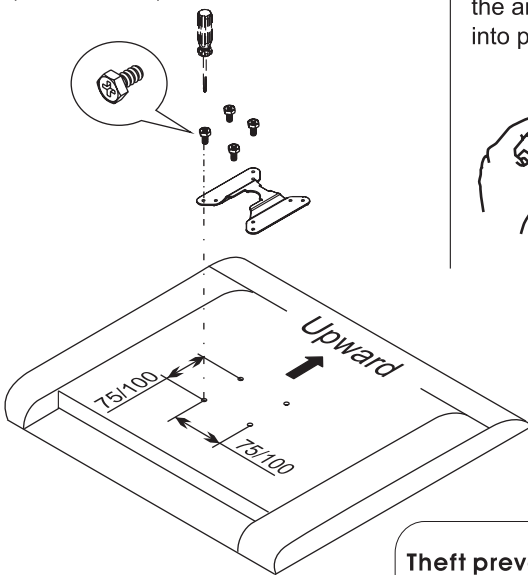
### Step 2

Remove the VESA plate by pinching the grey plastic tab to release the lock, then pull the plate upward to separate from the arm.

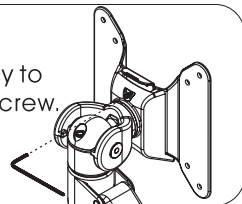


### Step 3

Place LCD monitor face down on a flat surface. Align the VESA plate holes with the holes on the back of the monitor and attach using the screws provided (shown below).

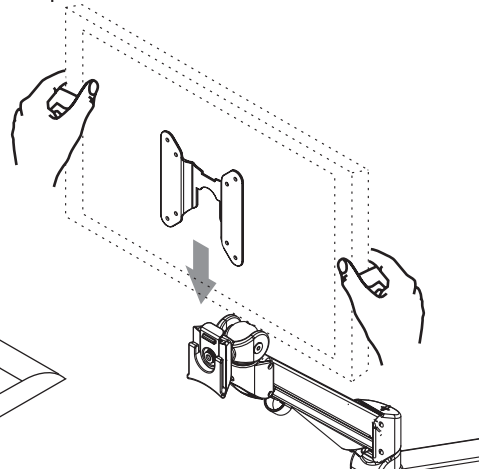


**Theft prevention:**  
Use 2mm Allen Key to tighten the grub screw.



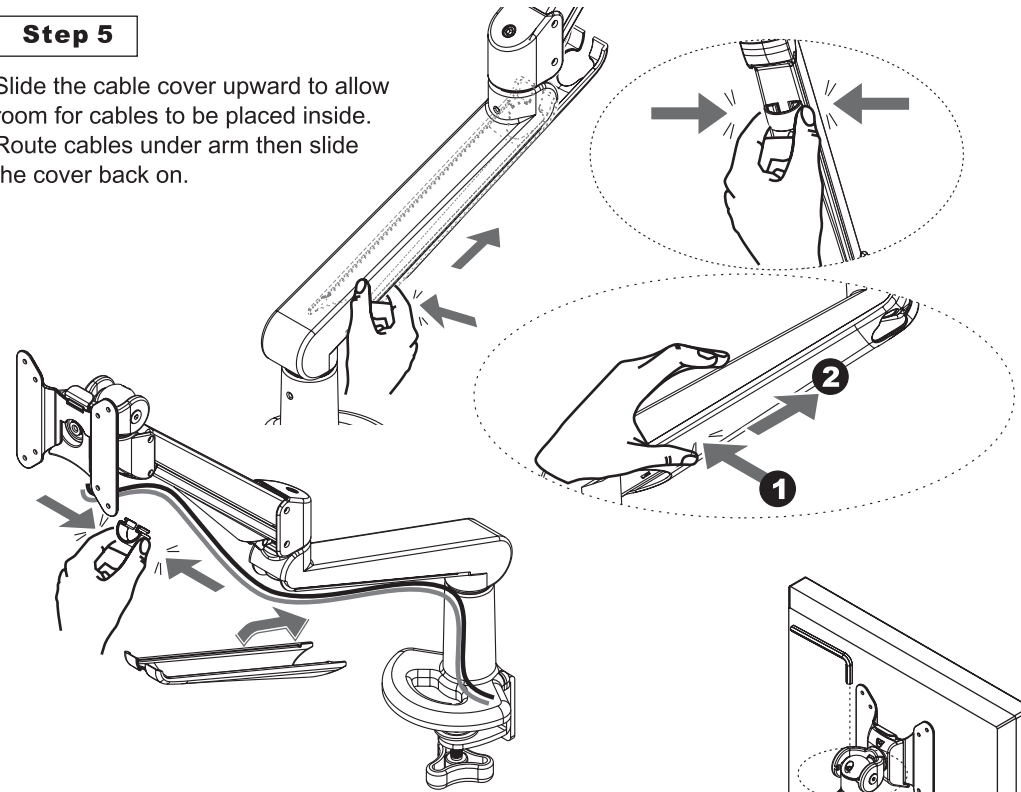
### Step 4

Slide the monitor (with VESA plate) onto the arm making sure it "clicks" securely into place.



### Step 5

Slide the cable cover upward to allow room for cables to be placed inside. Route cables under arm then slide the cover back on.



### Tension Adjustment

**Caution:**

Support arm while adjusting tension.

**Adjustment:**

Use the Allen key provided to adjust the tension to correspond to the weight of the monitor. Twist the Allen key in a clockwise direction for lighter monitors; counterclockwise for heavier monitors.

**Weight Capacity:**

6.6 ~ 17.6 lbs (3~8kg)

● Fasten the screw to the bottom with 2 mm Allen key and then move backward one circle to have the limited 180° rotation if necessary.

